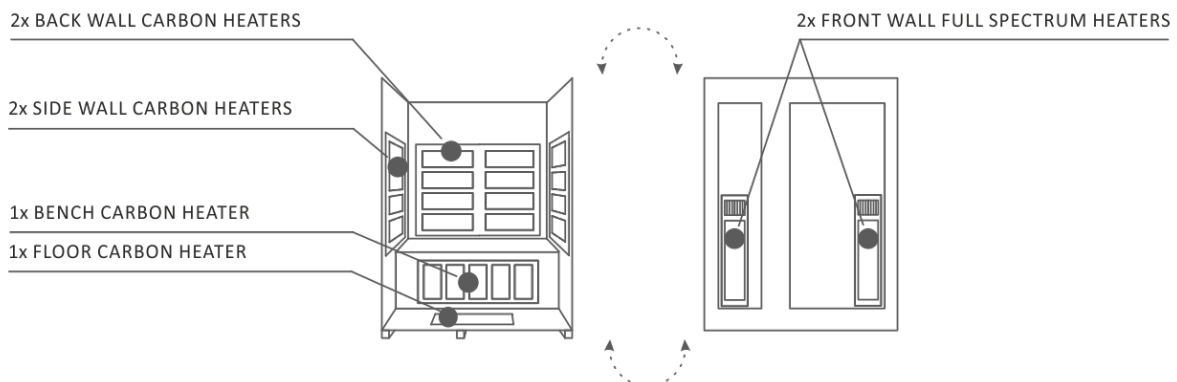


- 2 Person Rustic Canadian Cedar Outdoor Sauna is yet another great unit that offers the benefits of healing. It is slightly different than its predecessor Sierra 2. The only and the most noticeable difference is in its design. Rustic 2 Infrared sauna has more glass, while Sierra 2 contains more wood. This feature is simply cosmetic and depends only on your personal preference.
- Rustic 2 is designed for up to 2 people to enjoy. But do not underestimate its size. This unit will deliver a powerful sauna session, whether it is you alone or the two of you. This compact and cozy personal sanctuary will enlighten you, your loved one and create a fantastic relaxation and detox. The perfect recipe for a healthy living right in your own garden!
- 6 Carbon Heaters together with 2 Full Spectrum provide awesome effectiveness of infrared therapy – safely and comfortably.

## Specification

FEATURES		POWER USAGE/AMPS		INTERIOR SPECIFICATION		EXTERIOR SPECIFICATION	
Adjust. Temp.:	0-151	Amperage:	20 Amp	Width:	46"	Width:	50"
Heaters Number:	8 Heaters	IR Wavelengths:	6 to 12	Depth:	46"	Depth:	50"
Heaters Type:	Low Emf Full Spectrum/Carbon Heaters	Voltage:	120 Volt	Height:	76"	Height:	96"
Timer:	0 - 90	Wattage:	2350w	Bench:	42"x20"		
UNIT WEIGHT				ROOF SPECIFICATION			
Product Weight:	550 lbs			Roof Width:	60"		
Shipping Weight:	600 lbs			Roof Depth:	60"		

## Heaters



## Optional Features

CHROMOTHERAPY



IONIZER



Rain Cover

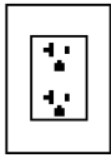


Warranty



## Standart Features

120v



Eco-certified Cedar Wood



DIGITAL CONTROLLER



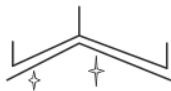
AM/FM/USB/AUX/MP3/BLUETOOTH  
PLAYER WITH SPEAKERS



ADJUSTABLE VENT



CERAMIC TILE FLOOR  
HEATER - EFFECTIVE &  
EASY TO CLEAN



CUP HOLDER



INSIDE LIGHTS



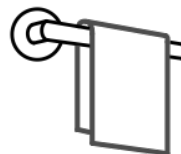
MAGAZINE RACK



TEMPERED GLASS



TOWEL RACK



WIDER & DEEPER BENCH

